

Product name and version

HiPath 1100 family V5.1 & V5.2

Brief product description

Communication System Platform for the “analogue” Market

The HiPath 1100 family consists of 4 Models as 1120, 1130, 1150 and 1190. V5.x is a complete redesign due to the new regulation requirements (e.g. ANATEL in Brazil). Additionally CE for Europe is considered as well as CCC for China. Option Boards like ISDN or ADSL(country specific), TME1 and several Expansion Board for trunks and lines modularity are available as well as integrated options like CLIP analogue and Fax/DID Functions. The system features are listed in the datasheet.

M 3 Local Companies

LAM Region V5.x:

RMI (Brazil, Bolivia, Paraguay), **MEX, RSU** (Argentina, Chile, Uruguay),

ZAM (Costa Rica, Dominic, Guatemala, Honduras, Nicaragua, Panama, El Salvador),

RNO (Venezuela, Equator, Columbia, Peru) & **CHN**

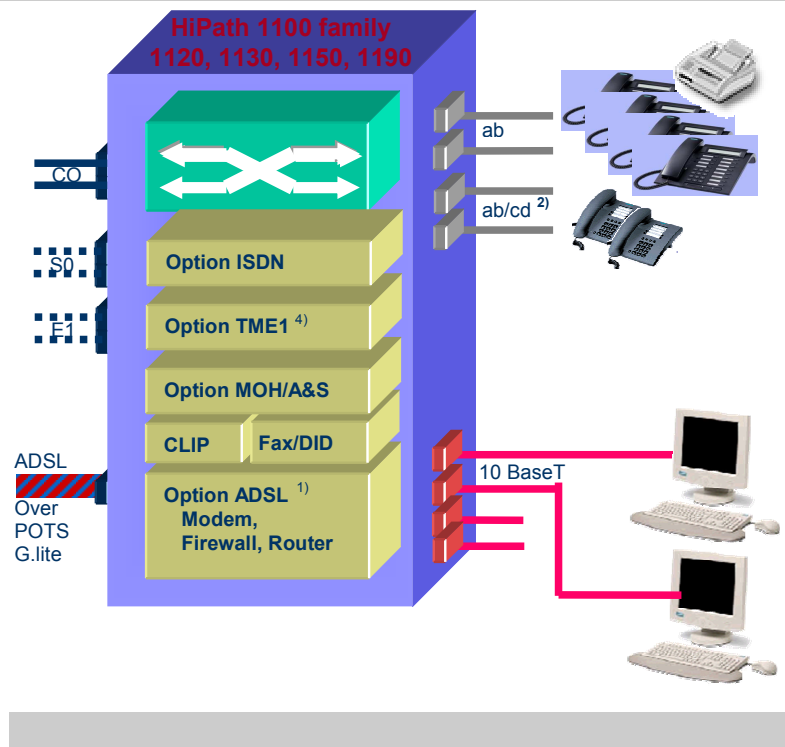
ROW Region V5.x: ■ ATEA(MEA), IDS, IND, PAK, VIT, THA ■ CND; ■ RSA; ■ GUS; ■ SPA, POR, GRI

Configuration overview

HiPath 1100 family configuration

Model	CO-Trunk analogue		Extension	
	min	max	min	max
1120	2	6	8	16
1130	2	14	10	20
1150	2	16	10	50
1190	8	32	10	140
Channel in Options				
Model	ISDN 1)	ADSL 1)	TME1 digital	
1120	2	1	-	
1130	4-10	1	15	
1150	4-10	1	15	
1190	4-20	1	45	

Option configuration:
 1) ADSL or ISDN (all Models)
 ISDN available in V5.2
 2) Out of total number of Extension only w/o ADSL or ISDN Option
 3) TME1 Board(s) with Channel for HiPath 1130/1150 1x15
 HiPath 1190 up to 1x15+1x30



Customer benefits and cost-effectiveness (summary)

- Competitive “State of the art” features for the target markets
- Future proofed by country specific ADSL broadband access (unique selling Point), Optional
- Availability of TME1 (E1 Trunk) not for HiPath 1120
- Enhanced modularity of HiPath 1120 (up to 16 lines)

Positioning

HiPath 1100 is an attractive and cost-optimized Communication System designed for sales via indirect channels for countries with analogue penetration and with and w/o ADSL Infrastructure. HiPath 1100 is a modular product, which supports easy installation and administration

Technical data

Option ADSL: over POTS or G.lite Technology including 4 Port 10 BaseT Ethernet HUB, 8 Mbps download and 1 Mbps upstream, Firewall, Standards IEEE 802.3, ANSI Standard T1.413, ...

Option TME1: for digital E1-Trunks up to 15 Channels in 1130/1150 and up to 45 Channels in 1190 (with 2 Option Boards) not usable together with ISDN Option.

Option ISDN: additional Option Expansion Board 2 or 5 Ports for 1130/50, 2, 5 or 10 in 1190 and 1 for 1120 (available in V5.2)

Option Fax/DID: are integrated (must be activated by a memory chip on Baby Board) Direct Inward Dialing and Fax Recognition integrated

CLIP analog , integrated in all 4 Models (additional Message Waiting available in V5.1)

USB Interface: additional to the existing v24-Interface an USB-Interface is integrated in V5.2

Expansion EB202, EB206, EB210 (# of Trunks and ## of Subscriber), EB200, EB400, EB800, (Trunk only) and EB010, EB012 (Subscriber only in conjunction with TME1), EB204, EB200 for 1120 only - max. 2 Boards and additional one MOHAS as external Music on Hold with one Actor & Sensor

Connectivity

Supports analogue Central Office Lines, country specific ADSL Internet connection, E1 digital Trunks or ISDN S0.

Migration of all analogue Devices and KeyPhones like E822ST and Profiset 3030.

Configuration notes

1120: Basic System 2 Trunks, 8 ab-Lines (4 of 8 are ab/cd Lines for KeyPhone E822ST/E3030) 2 Expansion Slots: One small Slot is reserved for 1 Actor & 1 Sensor including external MOH) One bigger Slot is used for one of 3 possible Option: ADSL, ISDN or Expansion EB204 or EB200. A second EB204/EB200 might be configured beside the Motherboard.

Total: max. 6 Trunks, 16 Subscribers.

1130: Basic System 2 Trunks, 10 ab incl. 8 cd-Lines for analogue or KeyPhone E822ST/E3030. 2 Expansion Slots: each for ether ADSL, ISDN, TME1 (15), (ether ADSL or ISDN might be configured) or Expansion Boards EB202, EB206, EB210, EB010 or EB012.

Total: 14(17) Trunks, 20 Subscribers.

1150: Basic System 2 Trunks, 10 ab incl. 8 cd-Lines for analogue Devices or KeyPhone E822ST. 4 Expansion Slots: each for ADSL, TME1 (15), (ether ADSL or ISDN might be configured) or Expansion Boards EB202, EB206, EB210, EB010 or EB012. Up to total 16 (17) Trunks, 50 Subscriber. Trunk only Expansion Boards EB200, EB400, EB800 are available as well.

Total: 16 (17) Trunks, 50 Subscribers.

1190 (country specific) : Basic System 8 Trunks, 10 ab-Lines up to 32 Trunks and 140 Subscriber might be configured. 24 (8+16) cd KeyPhones are possible.

Total: 32 Trunks, 140 Subscribers.

Feature PBX: HiPath 1100 family Feature Set - see Data Sheet

Serviceability: Easy Installation with Windows Service Tools, automatic Trunk recognition.

Language of the user interface of the service tool

English, Spanish and Portuguese